

### Technical information

<b>Length</b>	1.442 mm
<b>Output flux</b>	2.300 – 21.000 lm
<b>Wattage</b>	14 – 138 W
<b>Voltage</b>	220 - 240 V
<b>Frequency</b>	50 ÷ 60 Hz
<b>Power factor</b>	>0.9
<b>Drivers</b>	Signify or Inventronics
<b>Operational temperature*</b>	-20 °C to +35 °C (on request higher or lower temperatures possible)
<b>Weight</b>	approx. 7.19 pounds per m, including profile and accessories
<b>Application</b>	Industrial areas, logistics, retail, offices and coldstores
<b>Installation height</b>	2 - 26 m
<b>Colour temperature</b>	Natural white (± 4,000 K)
<b>Colour Rendering Index (CRI)</b>	>80
<b>Lens options</b>	Semi Wide, Wide, Oval
<b>Cover material</b>	PMMA
<b>Material</b>	Untreated aluminium
<b>Colour</b>	Untreated aluminium, anodized and RAL colours
<b>Impact resistance</b>	IK02
<b>IP code</b>	IP20 - IP54
<b>Options</b>	DALI, CLO, corridor, centralised and decentralised emergency lighting
<b>Warranty</b>	L85B10 / at least 5 year warranty / Ta 35 °C
<b>Expected life span</b>	It is possible to reach 100,000 hours
<b>BREEAM norms</b>	Yes
<b>NOC*NSF B1 (Ballproof)</b>	No

\* Fixtures equipped with decentralized emergency lighting batteries have an operational temperature of +5 °C to +25 °C.

## Versions

Lens optics	Application	Installation height	Impact resistance
Hilde Oval	High racks and open areas	6 - 26 meter	IK02
Hilde Semi Wide	Open areas	4 - 21 meter	IK02
Hilde Wide	Open areas	4 - 17 meter	IK02

On the initial performance, a tolerance of ± 10% is applicable, according to IEC. Technical data subject to change.

CLEVER  
SWIFT  
SOLID

# HILDE LINEAR LED

IP20 - IP54

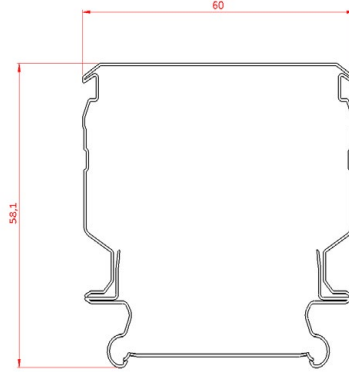
## HILDE OVAL



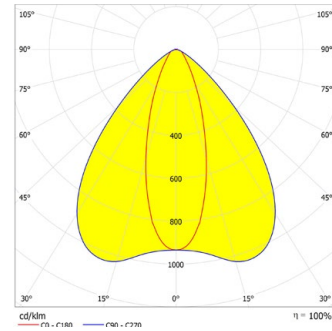
### Luminaire



### Dimensions



### Polar diagram



Product code IP40	Product code IP54	Length (mm)	Wattage (W)	Output flux (lm)	Lumen/Watt
LLN-O430	LLH-O430	1.442	14 – 138	2.400 – 21.000	154 - 177

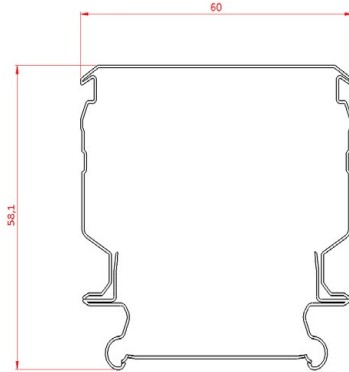
## HILDE SEMI WIDE



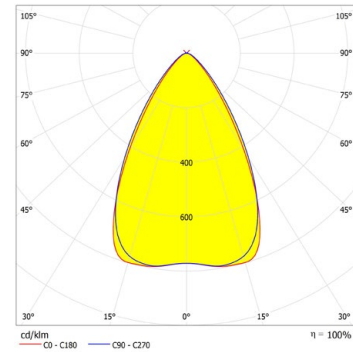
### Luminaire



### Dimensions



### Polar diagram



Product code IP40	Product code IP54	Length (mm)	Wattage (W)	Output flux (lm)	Lumen/Watt
LLN-S430	LLH-S430	1.442	14 – 138	2.400 – 21.000	155 - 176

On the initial performance, a tolerance of  $\pm 10\%$  is applicable, according to IEC. Technical data subject to change.

CLEVER  
SWIFT  
SOLID

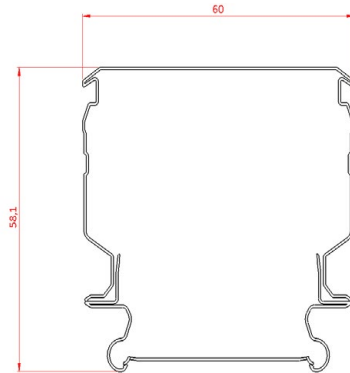
**HILDE WIDE**



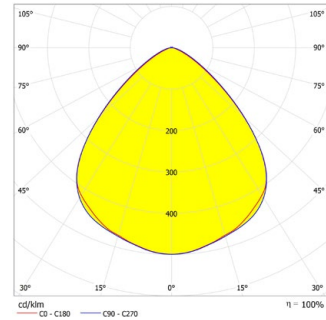
**Luminaire**



**Dimensions**



**Polar diagram**



Product code IP40	Product code IP54	Length (mm)	Wattage (W)	Output flux (lm)	Lumen/Watt
LLN-W430	LLH-W430	1.442	14 – 138	2.300 – 20.800	152 - 173

On the initial performance, a tolerance of  $\pm 10\%$  is applicable, according to IEC. Technical data subject to change.

**CLEVER  
SWIFT  
SOLID**